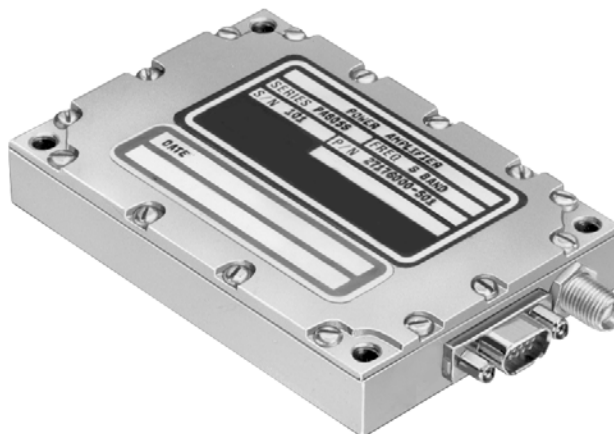


Airborne Telemetry

PA805S 1401 Power Amplifier Airborne Telemetry Products



FEATURES

- 5 Watt Power Output with +10 dBm input power
- Wide band design: 0.5 dB Bandwidth = 100 MHz
- Compact Size: 3.0" x 2.0" x 0.5"
- State-of-the-art Solid State Amplifier Design
- High-Efficiency

ELECTRICAL SPECIFICATIONS

Input Characteristics

| | |
|------------------------|--|
| Power Supply Voltages: | 12 ± 0.5 Vdc -5 ± 0.25 Vdc |
| Input Current: | 12 Vdc, 2.0 A max. -5 Vdc, 33 mA max. |
| RF Input Power Range: | + 6 dBm to + 10 dBm |
| Input VSWR: | 2:1 max, 50 ohms reference |
| Input Frequency: | 2200 to 2300 MHz 2300 to 2400 MHz (2200 to 2400 MHz available) |

Output Characteristics

| | |
|-----------------------------|---|
| RF Power Output: | 5 watts min. |
| RF Power Output Flatness: | ± 0.25 dB |
| Output Impedance: | 50 ohms |
| Performance Bandwidth: | 100 MHz bandwidth (200 MHz bandwidth optional) |
| Output Mismatch Capability: | No damage operating into VSWR up to ∞:1 |
| Spurious Emissions: | -60 dB relative to carrier |
| | <i>Optional: Forward Power Monitor Available</i> |

MECHANICAL SPECIFICATIONS

| | |
|--------------------------|--|
| Size: | 3.0"L x 2.0"W x 0.5"H (76.2 x 50.8 x 12.7 mm) (not including connectors) |
| Weight: | 4.0 ± .5 ounces |
| Connector Configuration: | |
| Power supply: | Cannon MDM9S |
| RF Input: | SMA (SSMA optional) |
| RF Output: | SMA |



communications
Telemetry & RF Products

Excellence You Can Measure

ENVIRONMENTAL SPECIFICATIONS

Baseplate Temperature: -20°C to +71°C
(extended temperature optional)

PIN CONNECTIONS

J1: DC POWER (Cannon MDM9S)

| PIN | Function |
|---------|----------------------------|
| 1, 2 | +12 Vdc |
| 4, 5 | GND |
| 8, 9 | -5 Vdc |
| 3, 6, 7 | NC |
| 3 | Fwd Pwr Monitor (Optional) |

J2: RF IN (3SMA)
J3: RF OUT (SMA)

QUALITY CONTROL

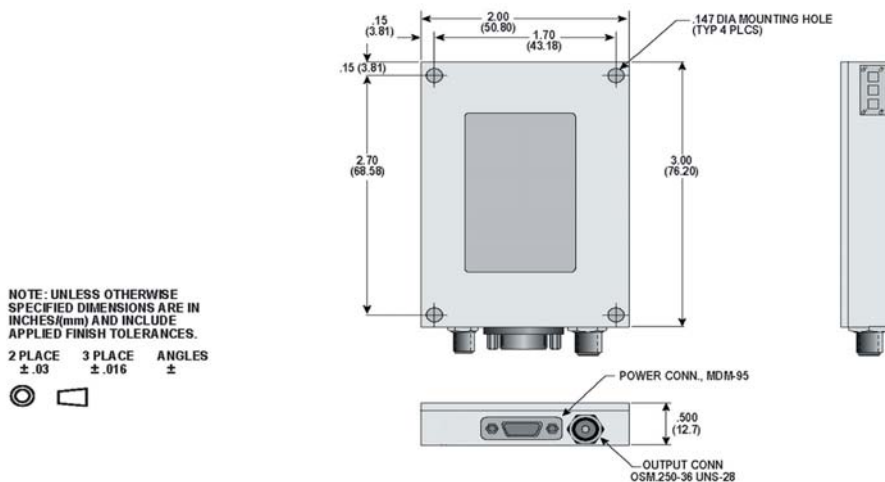
L-3 Communications Telemetry-East's PA805S Power Amplifiers are manufactured under Quality Control procedures accordant with MIL-Q-9858A. As an option, semiconductors and integrated circuits used in PA805S Power Amplifiers can be subjected to intensive preconditioning procedures. Each assembled unit is fully tested to a comprehensive Acceptance Test Procedure that includes full performance testing at thermal extremes.

L-3 Communications Telemetry-East has supported numerous Hi-Rel aerospace programs requiring exhaustive component screening, preconditioning, and selection procedures. Hi-Rel procedures or specific customer-generated procedures can be involved during the manufacture of PA805S Power Amplifiers.

ORDERING INFORMATION

When ordering, specify PA805S Power Amplifier, P/N 27176001. Consult with your L-3 Communications Telemetry-East Sales Representative or the L-3 Communications Telemetry-East Sales Office in Bristol, PA for additional ordering information requirements.

PA805S Outline Drawing



www.L-3Com.com/te



L-3 Communications Telemetry-East
1515 Grundy's Lane
Bristol, PA 19007
Tel: 267-545-7000
Fax: 267-545-0100



L-3 Communications Telemetry-West
9020 Balboa Avenue
San Diego, CA 92123-3507
Tel: 858-694-7500, 800-351-8483
Fax: 858-279-0693