

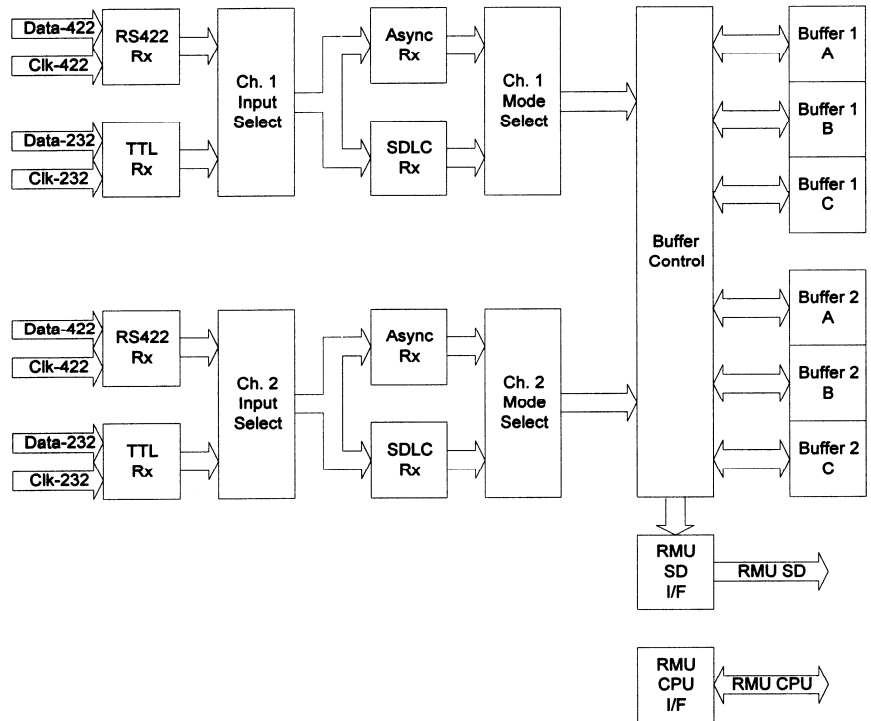
Airborne Telemetry

MSC1000-023 SDLC/Asynchronous Data Module (2 Channel)

Airborne Data Acquisition Products

FEATURES

- 2 channels
- Programmable RS-232/RS-422 input
- Up to 2K word input frame
- 1 to 6 message header words for input frame synchronization
- Triple buffer for each input channel to ensure frame integrity
- 8 bit status counter to indicate fresh, stale, or missed input frames
- Programmable Asynchronous or SDLC data link modes for each input channel
- Asynchronous mode: 300 to 115,200 baud
- Asynchronous mode: 5 to 8 data bits
- Asynchronous mode: parity even, odd, or none
- Asynchronous mode: 1, 1.5, or 2 stop bits
- SDLC mode: external clock up to 2,000,000 baud



DESCRIPTION

The MSC1000-023 module is a two-channel serial communications monitor. Asynchronous or SDLC data is accepted from an external device and stored for insertion into the PCM output stream. Input frames, with one to six header words, are triple-buffered to ensure complete communication frames are merged into the PCM frames.



communications
Telemetry & RF Products

Excellence You Can Measure

SPECIFICATIONS

Electrical Characteristics	RS-422 / RS-232
Format	NRZ-L
Link Protocol	Asynchronous or SDLC
Maximum message size (with header)	2047 words
Message header	1 to 6 contiguous words
Asynchronous: baud rate	300 to 115,200
Asynchronous: bits per character	5, 6, 7, or 8
Asynchronous: parity	odd, even, or none
Asynchronous: stop bits	1, 1.5, or 2
SDLC: baud rate	up to 2Mbit, external clock
SDLC: external clock input symmetry	40/60

www.L-3Com.com/te



L-3 Communications Telemetry-East
1515 Grundy's Lane
Bristol, PA 19007
Tel: 267-545-7000
Fax: 267-545-0100



L-3 Communications Telemetry-West
9020 Balboa Avenue
San Diego, CA 92123-3507
Tel: 858-694-7500, 800-351-8483
Fax: 858-279-0693