

Airborne Telemetry

MSC1000-007 Discrete Signal Conditioning Module (36 Channel)

Airborne Data Acquisition Products

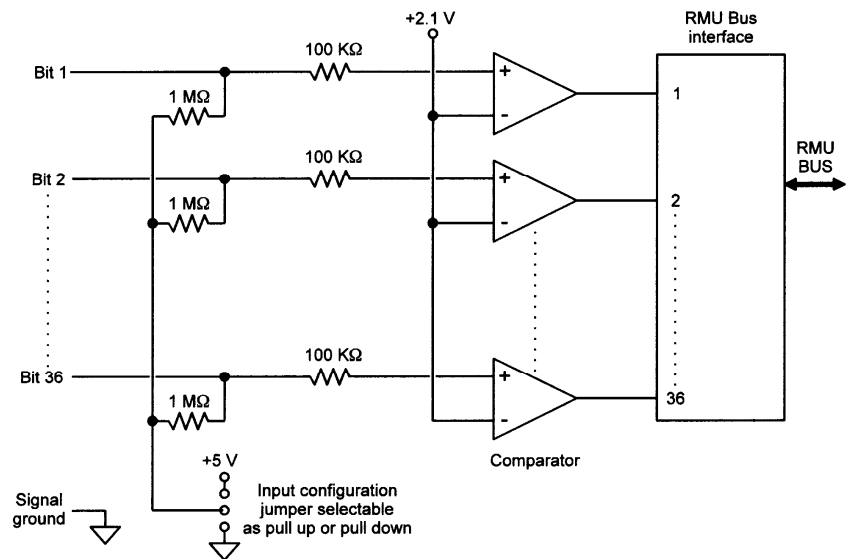
FEATURES

- 36 discrete inputs
- 1 megohm input impedance
- Floating input is a high level
- Input low from 0 V to 1.5 V
- Input high from 2.7V to 32 V
- Programmable sampling on major frame, minor frame, or on word basis
- All 36 bits latched upon sample command



communications
Telemetry & RF Products

Excellence You Can Measure



DESCRIPTION

The MSC1000-007 is a fully programmable module designed to interface to inputs from digital transducers, discrete signals, parallel time code generators, or other digital data. It outputs three (3) 12-bit words for a total of 36 channels. This module has the following salient features:

ELECTRICAL SPECIFICATIONS

Input Characteristics (Per Channel)

- Input impedance: 1 Megohm minimum
- Input “Lo” ranges from 0 to +1.5V
- Input “Hi” ranges from 2.7V to 32 V
- Floating input is designated as a logic “Hi”

Sample and Hold

- Programmable to be each time a channel is sampled: On minor frame, or on major frame

Output (Per Channel)

- All 36 bits are latched upon receipt of the sample/hold command
- Output word one contains bits 1 through 12*
- Output word two contains bits 13 through 24*
- Output word three contains bits 25 through 36*

**When system is configured at 12 bits per word.*

www.L-3Com.com/te



L-3 Communications Telemetry-East
1515 Grundy's Lane
Bristol, PA 19007
Tel: 267-545-7000
Fax: 267-545-0100



L-3 Communications Telemetry-West
9020 Balboa Avenue
San Diego, CA 92123-3507
Tel: 858-694-7500, 800-351-8483
Fax: 858-279-0693